

Modular CWDM (8 Channel Mux & DeMux Pair)

Brotechs introduces the mux family of products, which are designed for cost effective multiwavelength network applications. Channel spacing of 20 nm with wide bandpass characteristics allow for non-temperature controlled lasers to be used in transmitters. Based on Brotechs's proven thin film technology, Mux CWDMs allow for four and eight wavelengths to be used for uni-or bi-directional transmission. Like all Brotechs DWDM products, these devices are designed for long life service under the most demanding field conditions.

Applications

- **Sensor System**
- **10 GB Ethernet**
- **CATV Systems**
- **Metro Optical Networks**
- **Metro Access Networks**

Features

- **20 nm Channel Separation**
- **High Isolation**
- **Low Insertion Loss**
- **Epoxy-Free Optical Path**

Specifications

Parameters	8 Channel		
	Minimum	Typical	Maximum
Center Wavelength Δc	1471,1491,1511,1531nm \pm 20nm 1551, 1571, 1591, 1611 nm \pm 20nm		
Pass Channel Insertion Loss*			0.3dB
Insertion Loss Non – Uniformity*			1.0dB
Passband Width	12nm		
Adjacent Channel Isolation	30dB		
Return Loss	45dB		
Directivity	50dB		
PDL			0.2dB
PMD			0.2ps
Maximum Optical Power	300mW		
Operating Temperature	-5°C to +65°C		
Storage Temperature	-40°C to +85°C		

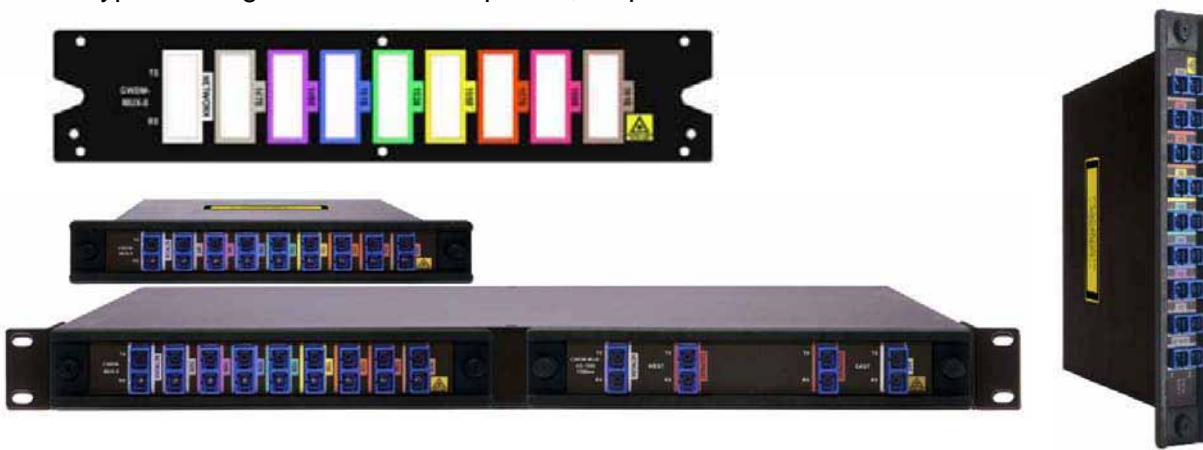
Notes:* Specification includes connector loss.



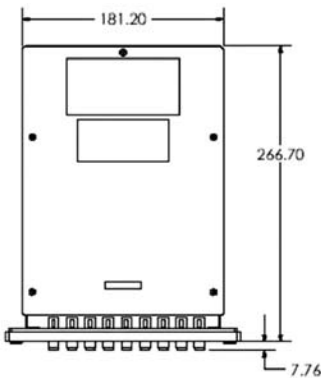


Dimensions

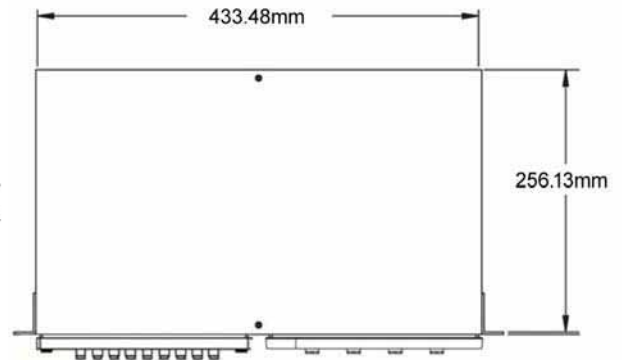
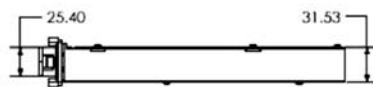
Half Width Rack Mount (Standard 19 inch Rack Mount accommodates two Half-Width Rack Mounts)
Fiber Type: Corning SMF-28e or compatible, 900µm



Drawings



Mechanical drawing of half width rack mount



Mechanical drawing of 19 inch rack mount

Ordering Information

4150-40222S0000

S:SC/UPC connector

Notes: 19 inch rack chassis is sold separately.

