
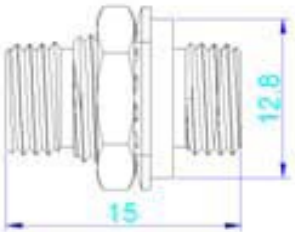

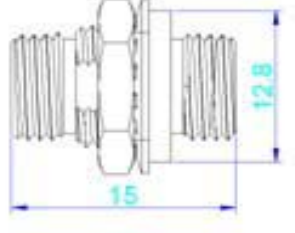


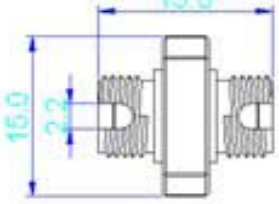


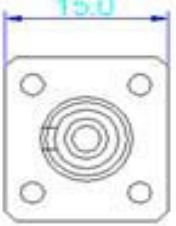
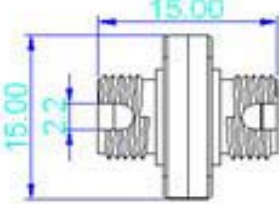



# FC Adapter


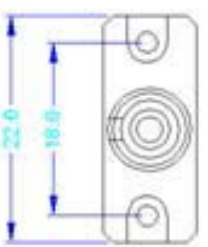
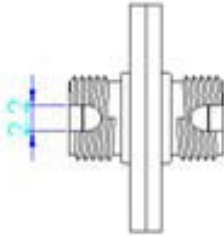



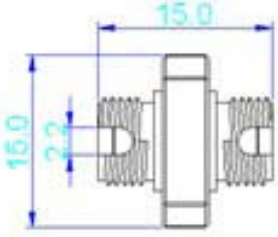


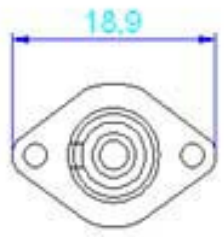
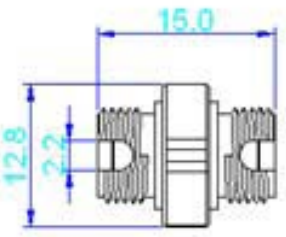
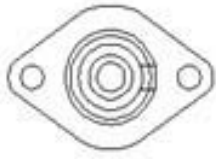
An optical fibre adapter or uniter is used to mate two connectors together, usually mounted in a distribution panel or wall box. In most cases it is the critical part of the system that aligns the ferrule part of the connectors keeping the fibres in perfect alignment.

Generally there are two types of alignment sleeve within an adapter, phosphor bronze for multi-mode or zirconia (ceramic) for single mode. The FC connector and adapter set are mainly used for singlemode applications where precision is required. With its simple to use locking thread mechanism preventing accidental disconnection, this provides a very secure connection.

|  |   |  |   |
|--|---|--|---|
|  <p><b>FC D type</b></p>            |   |  |   |
|  <p><b>FC DD type</b></p>          |  |  |   |
|  <p><b>FC Square one piece</b></p> |  |  |  |
|  <p><b>FC Square two piece</b></p> |  |  |  |





|  |   |  |   |
|--|---|--|---|
|  <p><b>FC Flange type</b></p>      |    |    |    |
|  <p><b>FC Square type PBT</b></p> |   |   |   |
|  <p><b>FC Diamond type</b></p>   |  |  |  |

## Ordering Information

|             | Type                 | Body Type  | Body Material or Color  | Dust cap Color  |
|-------------|----------------------|--|---|---|
| 1020 — 77 — | <input type="text"/> | <input type="text"/>   | <input type="text" value="00"/>   | <input type="text"/>  |
|             | S : SM<br>M : MM     | 0D : D type<br>DD : DD type<br>SQ : Square<br>SF : Sx Flange<br>DF : Dx Flange<br>DA : Diamond | 01 : Nickel-plated Copper<br>02 : Zinc Alloy<br>BL : Blue<br>BE : Beige | YE : Yellow (For SM)<br>WH : White (For MM)<br>GE : Green (For APC) |

