



LC Connector

The LC connector was the first small form factor connector on the market. The use of a high performance 1.25 mm ferrule gives the connector extremely high performance characteristics.

The Brotechs LC optical fibre connector comprises of a polymer body and a ceramic ferrule/spring/crimp barrel assembly plus a crimp over sleeve and rubber boot. These connectors are suitable for 900µm and 2 mm cables. The connector is precision made and manufactured to demanding specifications. The combination of a ceramic ferrule and a precision polymer housing provides consistent long-term mechanical and optical performance.

Features

- Available in 2mm patch ,3mm patch and 900 µm
- Termination Procedures : Prep cable end, Epoxy-Crimp-Polish
- Standard packaging: 100pcs Bulk packed, Special packaging available by request
- Connector versions available for: 2mm Cable, 900 µm Buffered Fibre, Simplex & Duplex
- Available in Blue (single mode),Beige (multimode)

Technical Specification

Intermateability

Compliant with IEC 61754-20.

Optical Performance

Singlemode

Insertion loss: Max. 0.3 dB Typical 0.2 dB

Return loss: UPC > 50dB Typical 55 dB

APC > 60dB Typical 65 dB

Multimode

Insertion loss: Max. 0.3 dB Typical 0.12 dB

(IEC 874-1 method)

Damp Heat

(IEC 61300-2-19)

60°C at 95% RH ,96 hours=0.2dB Change

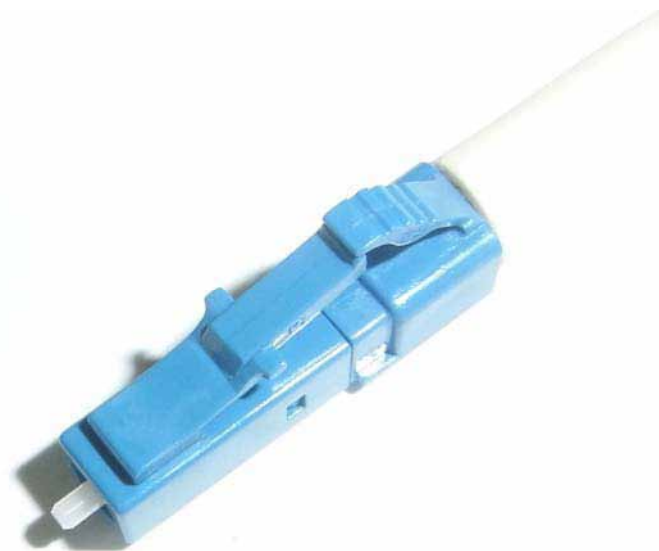
Temperature Cycling

(IEC 61300-2-48)

-40°C to +85°C , 42 cycles=0.2dB Change

Operating Temperature

-40°C to +85°C



Ordering Information

	Connector Type	Ferrule Type	Count	Boot OD	Housing Type or Color	Boot Color
1010	<input type="text"/>	<input type="text"/>	<input type="text"/>	<input type="text"/>	<input type="text"/>	<input type="text"/>
	1 : LC/PC	0 : None	S : Simplex	09 : 0.9mm	G : Green	W : White
	A : LC/APC	S : SM	D : Duplex	20 : 2.0mm	L : Blue	
		M : MM		30 : 3.0mm	E : Beige	



SC Connector

The Brotechs SC optical fibre connector is comprised of a polymer body and a ceramic ferrule/spring/crimp barrel assembly plus a crimp over sleeve and rubber boot. These connectors are suitable for, 900µm and 2 and 3mm cables. The connector is precision made and manufactured to demanding specifications. The combination of a ceramic ferrule and a precision polymer housing provides consistent long-term mechanical and optical performance.

Brotechs has developed a system to couple two SC connectors to form a duplex version. This quickly converts two single connectors, allowing the user to chose between cross over or straight through patchcord configuration.

Features

- Available in 2mm patch ,3mm patch and 900 µm
- Termination Procedures : Prep cable end, Epoxy-Crimp-Polish
- Standard packaging: 100pcs Bulk packed, Special packaging available by request
- Simplex & Duplex versions available (duplex version uses two simplex connectors with a clip to be coupled as required)
- Available in Blue, Red, Black, Green (2 & 3 mm Boot), Blue (900 mm Boot)

Technical Specification

Intermateability

Compliant with IEC 61754-4.

Optical Performance

Singlemode

Insertion loss: Max. 0.3 dB Typical 0.2 dB

Return loss: UPC > 50dB Typical 55 dB

APC > 60dB Typical 65 dB

Multimode

Insertion loss: Max. 0.3 dB Typical 0.12 dB

Mechanical

Capillary diameter tolerance:

SM—126 ± 0.5µm

MM—127 ± 0.5µm

Ferrule Diameter: 2.5mm ± .001

Pre-radiused, PC-end finish for Physical

Contact ferrule to ferrule. R 10 to 25mm

Temperature Cycling

(IEC 61300-2-48)

-40°C to +85°C , 42 cycles=0.2dB Change

Operating Temperature

-40°C to +85°C



Ordering Information

	Connector Type	Ferrule Type	Count	Boot OD	Housing Type or Color	Boot Color
1010	<input type="text"/>	<input type="text"/>	<input type="text"/>	<input type="text"/>	<input type="text"/>	<input type="text"/>
	2 : SC/PC	0 : None	S : Simplex	09 : 0.9mm	G : Green	G : Green
	B : SC/APC	S : SM	D : Duplex	20 : 2.0mm	L : Blue	L : Blue
		M : MM		30 : 3.0mm	E : Beige	E : Beige



ST Connector

The ST connector has been the main stay of optical fibre connectors for many years. It can be found in almost every communications room world wide, but used mainly in data communications systems. The simple to use bayonet locking mechanism reduces the risks of accidental disconnection.

The Brotechs ST optical fibre connector comprises of a nickel plated brass body and a ceramic ferrule/spring/crimp barrel assembly plus a crimp over sleeve and rubber boot. These connectors are suitable for 900µm and 2—3mm cables. The connector is precision made and manufactured to demanding specifications.

The combination of a ceramic ferrule and precision metal housing provides consistent long-term mechanical and optical performance.

Features

- Available in 2mm patch ,3mm patch and 900 µm
- Termination Procedures : Prep cable end, Epoxy-Crimp-Polish
- Standard packaging: 100pcs Bulk packed, Special packaging available by request
- Available in Black, Red, Yellow (2 & 3 mm Boot), Black, Blue, Yellow (900 mm Boot)

Technical Specification

Intermateability

Compliant with IEC 61754-2.

Optical Performance

Singlemode

Insertion loss: Max. 0.3 dB Typical 0.2 dB

Return loss: UPC > 50dB Typical 55 dB

Multimode

Insertion loss: Max. 0.3 dB Typical 0.12 dB

Mechanical

Capillary diameter tolerance:

SM—126 ± 0.5µm

MM—127 ± 0.5µm

Ferrule Diameter: 2.5mm ± .001

Ceramic pre-radiused, PC-end finish for Physical Contact ferrule to ferrule. R 10 to 25mm

Temperature Cycling

(IEC 61300-2-48)

-40°C to +85°C , 42 cycles=0.2dB Change

Operating Temperature

-40°C to +85°C



Ordering Information

Connector Type	Ferrule Type	Count	Boot OD	Housing Type or Color	Boot Color
1010					
3 : ST/PC	0 : None	S : Simplex	09 : 0.9mm	1: Copper electroplating Nickel(Open)	B : Black
	S : SM		20 : 2.0mm	2: Zinc Alloy (Close)	L : Blue
	M : MM		30 : 3.0mm		



E2000 Connector

Designed to be the ultimate in optical fibre connectors, the E2000 connector exceeds all standards for connector performance and operation.

Designed to be easy to terminate, the one piece ferrule assembly saves time and provides trouble-free operation.

With the power of today's laser transmitters emitting levels that are a danger to an unprotected user the E2000 offers a level of protection no other connector can match. Each E2000 connector and adapter have their own shutter that automatically opens and closes as the connector is mated and unmated.

Features

- Latched push-pull operation
- Automatic metal shutter on connector and adapter for dust and laser protection
- Safe for use in high power laser applications
- One-piece design for easy termination
- Colour coding of connector and adapter
- Mechanical coding of connector and adapter
- Connector are bulk packed
- Available in Blue (Singlemode), Green (Singlemode APC), Beige (Multimode)



Technical Specification

Intermateability

Compliant with IEC 61754-15.

Technology

Full ceramic ferrule and sleeve

Tuning

In 60deg Steps

Mechanical Resistance

100N tensile load

Insertion Loss

Singlemode (UPC)	Max. 0.3 dB	Typical 0.2 dB
Singlemode (APC)	Max. 0.3 dB	Typical 0.2 dB
Multimode (PC)	Max. 0.5 dB	Typical 0.2 dB

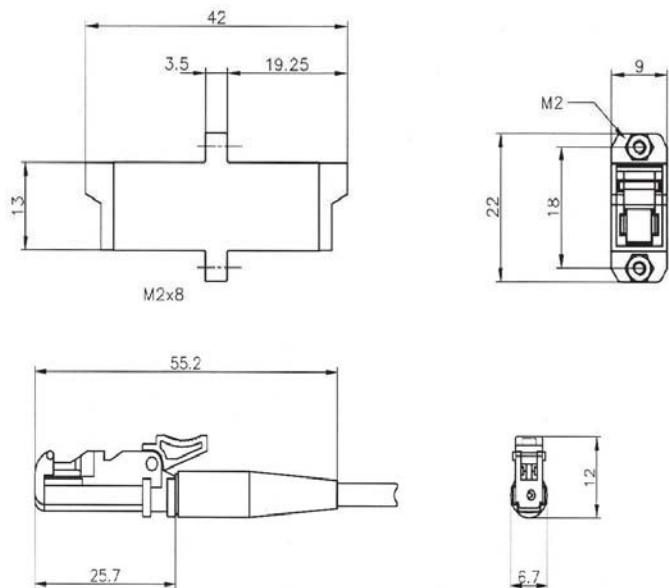
Temperature Cycling

(IEC 61300-2-48)

-40°C to +85°C , 42 cycles=0.2dB Change

Operating Temperature

-40°C to +85°C



Ordering Information

Connector Type	Ferrule Type	Count	Boot OD	Housing Type or Color	Boot Color
1010					
4 : E2000 /PC	S : SM	S : Simplex	09 : 0.9mm	G : Green	G : Green
C : E2000/APC	M : MM		30 : 3.0mm	L : Blue	L : Blue
				E : Beige	E : Beige



DIN Connector

The Brotechs DIN Optical Fibre connector comprises of a nickel plated brass body and a ceramic ferrule/spring/crimp barrel assembly plus a crimp over sleeve and rubber boot. These connectors are suitable for 900µm and 2 and 3mm cables.

The connector is precision made and manufactured to demanding specifications.

The combination of a ceramic ferrule and a precision nickel plated brass housing provides consistent long-term mechanical and optical performance.

The DIN connector is a widely used connector. It can be seen in every area of the communications environment, from a telecoms distribution room to a local area network closet the DIN has set the standard for optical fibre connectors. The Optronics DIN connectors are manufactured using the highest quality components. The connectors exceeds all areas of standards covering optical fibre connectors.

Features

- Available in 2mm patch, 3mm patch and 900 µm
- Termination Procedures : Prep cable end, Epoxy-Crimp-Polish
- Standard packaging: 100pcs Bulk packed, Special packaging available by request
- Available in Blue, Black, Green, Beige (2 & 3 mm Boot and 900 mm Boot)

Technical Specification

Intermateability

Compliant with IEC 61754-13.

Optical Performance

Singlemode

Insertion loss: Max. 0.3 dB Typical 0.2 dB

Return loss: UPC > 50dB Typical 55 dB
 APC > 60dB Typical 65 dB

Multimode

Insertion loss: Max. 0.3 dB Typical 0.12 dB
 (IEC 874-1 method)

Temperature Cycling

(IEC 61300-2-48)

-40°C to +75°C , 40 cycles=0.2dB Change

Operating Temperature

-40°C to +85°C



Ordering Information

Connector Type	Ferrule Type	Count	Boot OD	Housing Type or Color	Boot Color
1010					
5 : DIN/PC	S : SM M : MM	S : Simplex	30 : 3.0mm	1: Copper electroplating Nickel(Open)	B : Black L : Blue



FC Connector

The FC connector is used extensively in the telecommunications market, where long singlemode optical fibre cables can run upwards of 50km. In these extreme situations the connector needs to have extremely low loss and accurate geometry.

The Brotechs FC Optical Fibre connector comprises of a nickel plated brass body and a ceramic ferrule/spring/crimp barrel assembly plus a crimp over sleeve and rubber boot. These connectors are suitable for 900µm and 2 and 3mm cables. The connector is precision made and manufactured to demanding specifications. The combination of a ceramic ferrule and a precision nickel plated brass housing provides consistent long-term mechanical and optical performance.

Features

- Available in 2mm patch, 3mm patch and 900 µm
- Termination Procedures : Prep cable end, Epoxy-Crimp-Polish
- Standard packaging: 100pcs Bulk packed, Special packaging available by request
- Available in Black, Blue (2 & 3 mm Boot), Black, Blue, (900 mm Boot)

Technical Specification

Intermateability

Compliant with IEC 61754-13.

Optical Performance

Singlemode

Insertion loss: Max. 0.3 dB Typical 0.2 dB

Return loss: UPC > 50dB Typical 55 dB

APC > 60dB Typical 65 dB

Multimode

Insertion loss: Max. 0.3 dB Typical 0.12 dB
(IEC 874-1 method)

Temperature Cycling

(IEC 61300-2-48)

-40°C to +85°C , 42 cycles=0.2dB Change

Operating Temperature

-40°C to +85°C



Ordering Information

Connector Type	Ferrule Type	Count	Boot OD	Housing Type or Color	Boot Color
1010					
7 : FC/PC	0 : None	S : Simplex	09 : 0.9mm	1: Copper electroplating Nickel(Open)	G : Green
D : FC/APC	S : SM		20 : 2.0mm		
	M : MM		30 : 3.0mm		



MT-RJ Connector

The MT-RJ connector is a development of the now legendary MT ferrule. This amazing technology is at the heart of many state of the art connectors. The MT-RJ ferrule in its various designs has the ability to connect anything from two fibres in the MT-RJ or up to 72 fibres in the latest versions of the MPO connector.

The Brotechs of the MT-RJ, is capable of terminating any 125mm fibre. The flexibility of the connector allows it to be used in short run local area networks as well as longer haul cabling using single mode fibre.

Designed to terminate two fibres within a single connector, reducing the risk of operator error when inter-connecting equipment and distribution panels. The MT-RJ has been deliberately designed to look and feel like the industry standard copper connector.

Features

- **MT based Multi-fibre Connector for two fibres.**
- **High density connector allows up to 72 fibres to be terminated in a 1u distribution panel.**
- **Latched lever similar to that found on standard copper connectors.**
- **Reliable quality supported by more than 15 years of FibreFab experience.**
- **Product Packaging : Connector in kit form, packaged in 100pcs.**

Technical Specification

Intermateability

Compliant with IEC 61754-18.

Fiber Type:

9/125 SM
50/125 MM
62.5/125 MM

Fiber Count: 2

Insertion Loss (With master plug)

Standard Loss=0.5 dB
Low Loss=0.35 dB
Return Loss=45dB

Cable Type: Mini Zip

Operating Temperature

-10°C to +60°C



Ordering Information

	Connector Type	Ferrule Type	Gender	Count	Boot OD	Housing Type or Color	Boot Color
1010	<input type="text"/>	<input type="text"/>	<input type="text"/>	<input type="text"/>	<input type="text"/>	<input type="text"/>	<input type="text"/>
	8 : MTRJ	S : SM M : MM	F: Female M: Male	S : Simplex	20 : 2.0mm	B : Black	B : Black



MU Connector

The MU connector uses a high performance 1.25 mm ferrule which gives the connector extremely high performance characteristics. The Brotechs MU optical fibre connector comprises of a polymer body and a ceramic ferrule/spring/crimp barrel assembly plus a crimp over sleeve and rubber boot. These connectors are suitable for 900µm and 2 mm cables. The connector is precision made and manufactured to demanding specifications. The combination of a ceramic ferrule and a precision polymer housing provides consistent long-term mechanical and optical performance.

Features

- Available in 2mm patch and 900 µm
- Termination Procedures : Prep cable end, Epoxy-Crimp-Polish
- Connector versions available for: 2mm Cable, 900 mm Buffered Fibre
- Standard packaging: 100pcs Bulk packed, Special packaging available by request

Technical Specification

Optical Performance

Singlemode

Insertion loss: Max. 0.3 dB Typical 0.2 dB
Return loss: UPC > 50dB Typical 55 dB
 APC > 60dB Typical 65 dB

Multimode

Insertion loss: Max. 0.3 dB Typical 0.12 dB
(IEC 874-1 method)

Mechanical

Capillary diameter tolerance: 126 +1/-0µm
Ferrule Diameter: 2.5mm ± .001
Pre-radiused, PC-end finish for Physical
Contact ferrule to ferrule. R 10 to 25mm

Damp Heat

(IEC 61300-2-19)
60°C at 95% RH ,96 hours=0.2dB Change

Temperature Cycling

(IEC 61300-2-48)
-40°C to +85°C , 42 cycles=0.2dB Change

Operating Temperature

-40°C to +85°C



Ordering Information

Connector Type	Ferrule Type	Count	Boot OD	Housing Type or Color	Boot Color
1010					
9 : MU	S : SM	S : Simplex	09 : 0.9mm 20 : 2.0mm	N: Brown	L : Blue

