

E2000 Connector

Designed to be the ultimate in optical fibre connectors, the E2000 connector exceeds all standards for connector performance and operation.

Designed to be easy to terminate, the one piece ferrule assembly saves time and provides trouble-free operation.

With the power of today's laser transmitters emitting levels that are a danger to an unprotected user the E2000 offers a level of protection no other connector can match. Each E2000 connector and adapter have their own shutter that automatically opens and closes as the connector is mated and unmated.

Features

- Latched push-pull operation
- Automatic metal shutter on connector and adapter for dust and laser protection
- Safe for use in high power laser applications
- One-piece design for easy termination
- Colour coding of connector and adapter
- Mechanical coding of connector and adapter
- Connector are bulk packed
- Available in Blue (Singlemode), Green (Singlemode APC), Beige (Multimode)



Technical Specification

Intermateability

Compliant with IEC 61754-15.

Technology

Full ceramic ferrule and sleeve

Tuning

In 60deg Steps

Mechanical Resistance

100N tensile load

Insertion Loss

Singlemode (UPC)	Max. 0.3 dB	Typical 0.2 dB
Singlemode (APC)	Max. 0.3 dB	Typical 0.2 dB
Multimode (PC)	Max. 0.5 dB	Typical 0.2 dB

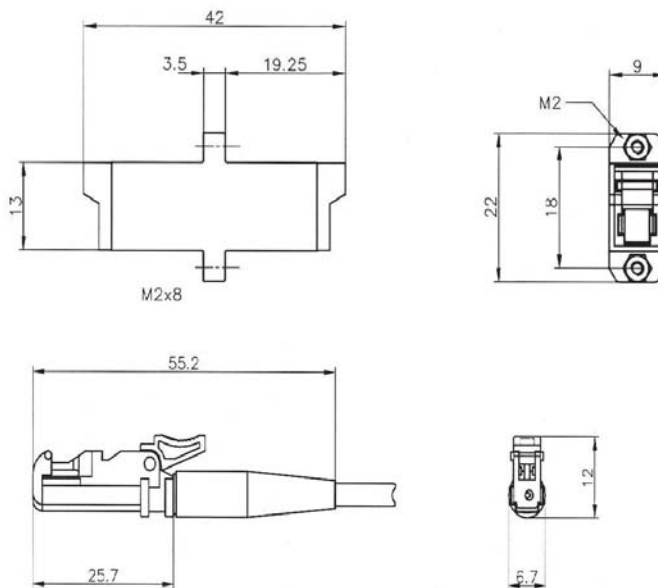
Temperature Cycling

(IEC 61300-2-48)

-40°C to +85°C , 42 cycles=0.2dB Change

Operating Temperature

-40°C to +85°C



Ordering Information

Connector Type	Ferrule Type	Count	Boot OD	Housing Type or Color	Boot Color
1010					
4 : E2000 /PC	S : SM	S : Simplex	09 : 0.9mm	G : Green	G : Green
C : E2000/APC	M : MM		30 : 3.0mm	L : Blue	L : Blue
				E : Beige	E : Beige

